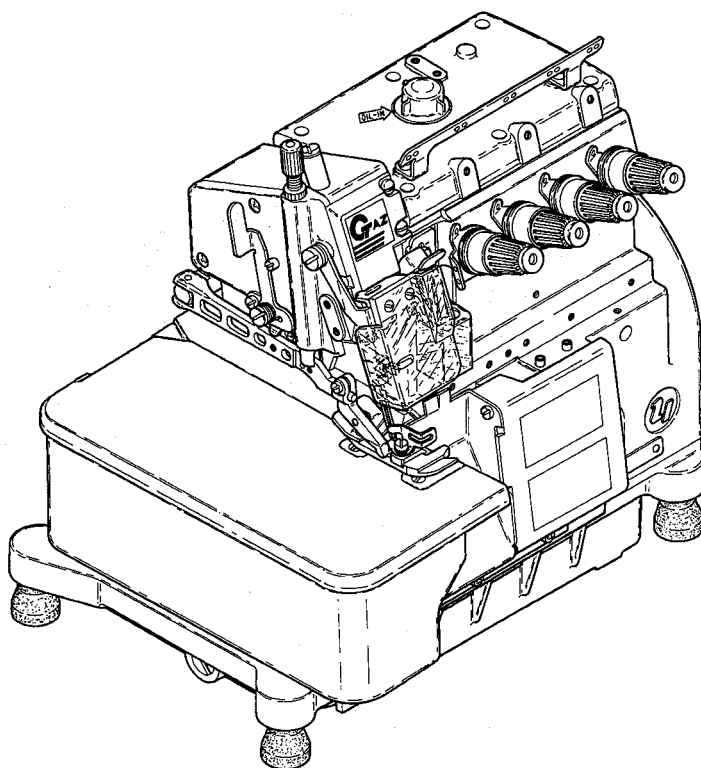


Yamato[®]

Parts List

SUPER HIGH SPEED
OVERLOCK STITCH MACHINE



MODEL

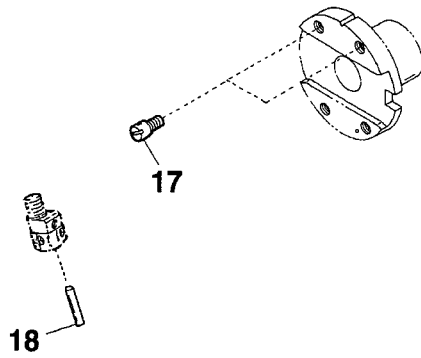
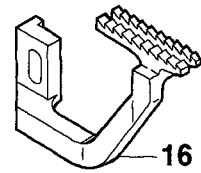
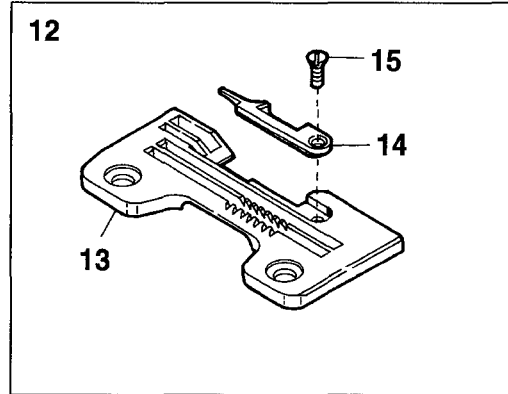
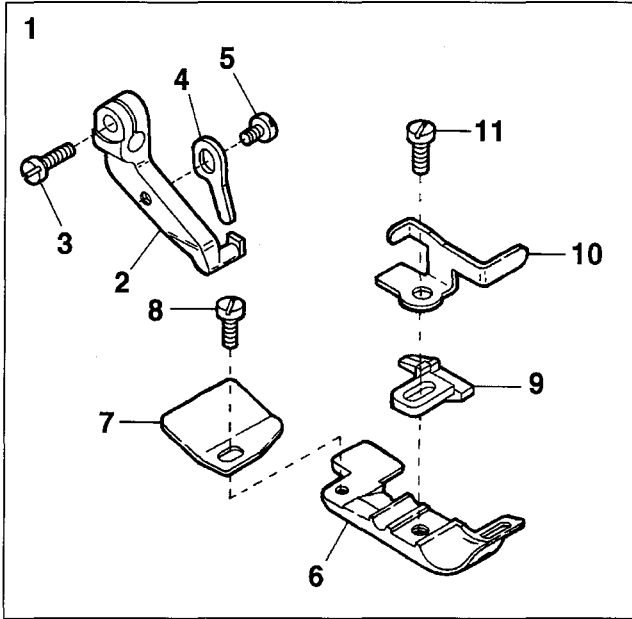
AZ8016G-61

 **YAMATO SEWING MACHINE MFG. CO., LTD.**

From the library of: Superior Sewing Machine & Supply LLC

1

AZ8016G-61



Ref.No	Parts No.	Description	品名	Amt. Req
1	2157187	Presser Foot, Complete Set(O2)	押工(組)	1
2	2157000	Presser Foot Hinge	押工ヒンジ	1
3	110004	Screw(M3.5-0.6 × 8)	止ネジ	1
4	2157040	Presser Foot Half-stay	半固定片	1
5	110050	Screw(M3.5-0.6 × 4.5)	止ネジ	1
6	2107291	Presser Foot(Lower)	押工(下)	1
7	0034535	Thread Chain Guide	空環ガイド	1
8	004237	Screw(3/32-56 × 2.6)	止ネジ	1
9	2157188	Presser Foot Stitch Tongue(O2)	爪	1
10	2107640	Finger Guard	フィンガガード	1
11	005036	Screw(1/8-44 × 5.6)	止ネジ	1
12	2108116	Stitch Plate, Complete Set(O2)	針板(組)	1
13	2108114	Stitch Plate	針板	1
14	2108115	Stitch Plate Tongue	針板爪	1
15	004182	Screw(3/32-56 × 2.5)	止ネジ	1
16	2109007	Differential Feed Dog	前送り	1
17	180002	Screw(M3-0.5 × 4)	止ネジ	1
18	0060297	Pin	ピン	1

Yamato

ヤマトミシン製造株式会社

YAMATO SEWING MACHINE MFG. CO., LTD.

4-4-12, NISHITENMA, KITA-KU, OSAKA, JAPAN
TEL : 81-6-6364-1321 FAX : 81-6-6364-1307

〒530-0047 大阪市北区西天満4丁目4番12号
TEL(06)6364-1321(代) FAX(06)6365-5176

P/N 9710130(P)
No. 1 Edited in 2005.12
(AZ8016G-61)

Printed in Japan 2005.12.1 H[Ⓜ]

From the library of: Superior Sewing Machine & Supply LLC